

Printer

<i>Author</i> TimGroup	<i>Co-authors</i> Nguyen Quoc Su	<i>Date</i> 03/30/2013	<i>Version</i> 1.0
---------------------------	-------------------------------------	---------------------------	-----------------------

Table of Contents

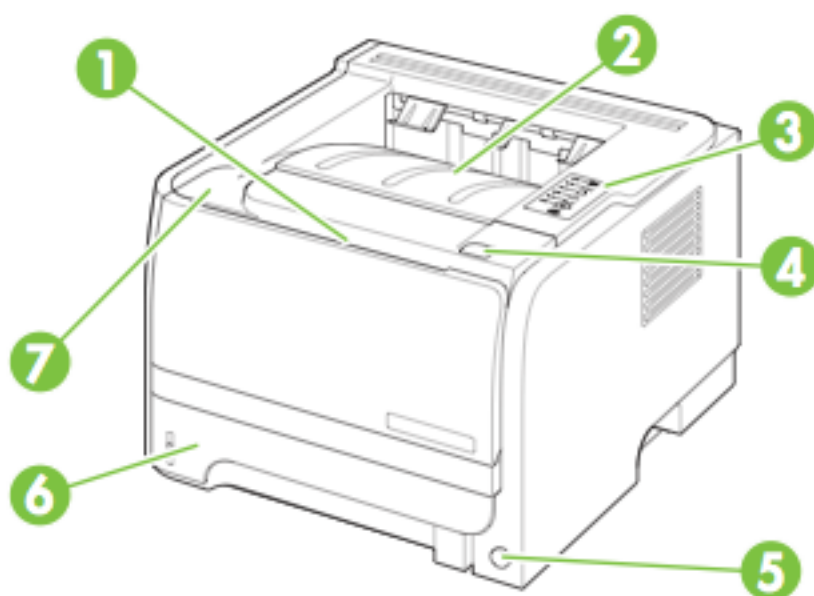
1. General Description.....	5
1.1. Product features.....	5
1.2. Product Walkaround.....	5
2. Paper handling.....	7
2.1. Loading the printer.....	7
2.2. Choosing the output of prints.....	8

1. General Description

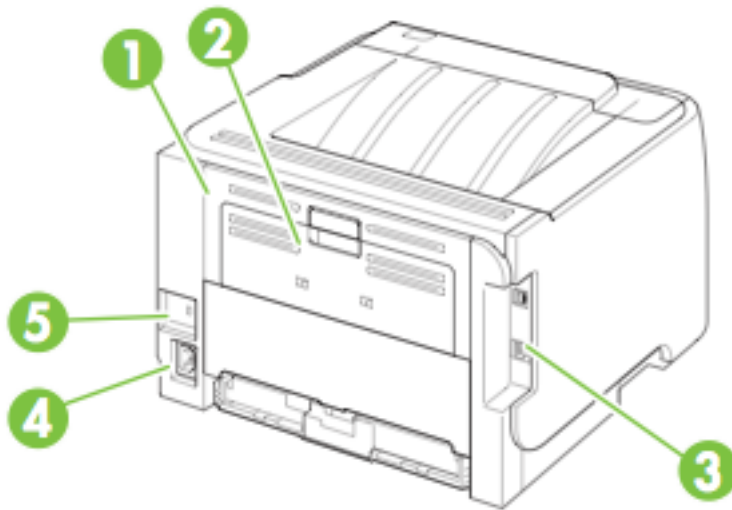
1.1. Product features

Feature	Description
<i>Performance</i>	266 MHz processor
<i>User-interface</i>	<ul style="list-style-type: none">• 2-button, 6 LED control pannel• Windows and Macintosh printer drivers• Embedded Web server to access support and supplies
<i>Printer drivers</i>	<ul style="list-style-type: none">• Host-based printer drivers• HP UPD PCL 5 printer driver• XML paper specification (XPS) printer driver
<i>Resolution</i>	600 dpi and 1200 dpi
<i>Fonts</i>	45 internal scalable fonts
<i>Connectivity</i>	High-speed USB 2 connection

1.2. Product Walkaround



Index	Component
1	Tray 1 (pull to open)
2	Top output bin
3	Contrl panel
4	Print-cartridge-door release button
5	On-off switch
6	Tray 2
7	Print-cartridge door

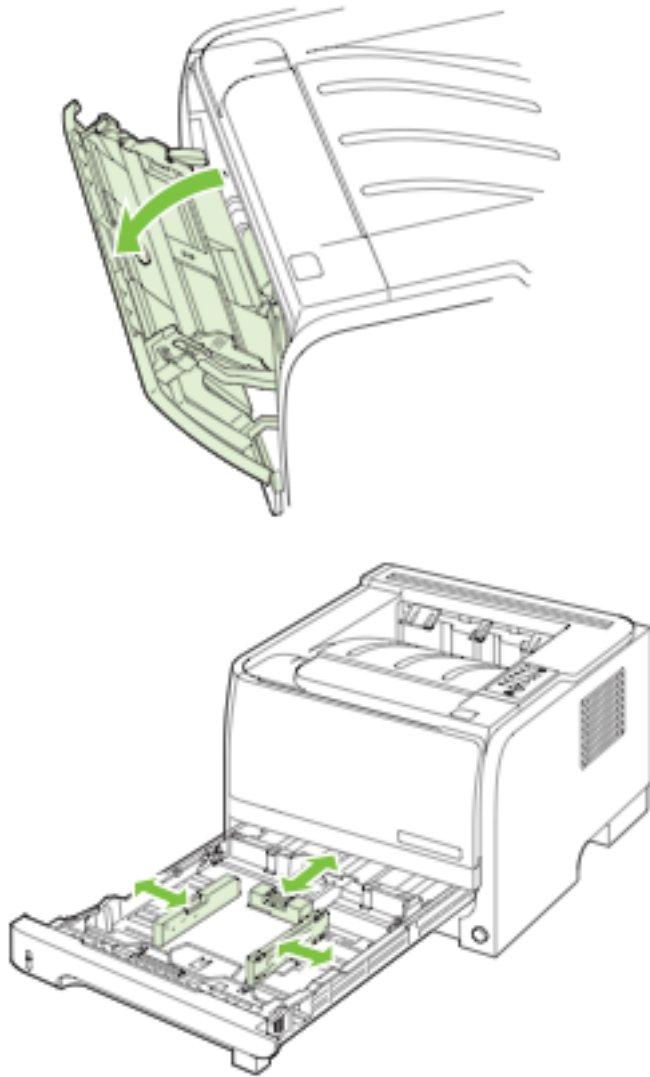


Index	Component
1	<i>Jam-release door (pull the green handle to open)</i>
2	<i>Straight-through paper pass (pull to open)</i>
3	<i>Interface ports</i>
4	<i>Power connection</i>
5	<i>Slot for cable-type security lock</i>

2. Paper handling

2.1. Loading the printer

Inserting paper stacks into the trays (or sheets, in case of manual feed).



2.1.1. Choice 1 : Loading for printing in a mixed format

An example of mixed format printing is to print envelopes and letters by pairs (one envelope for the corresponding letter).

Warning

Mixed format printing requires manual feed and, thus, changing of the default setting of the printer (See Task "").

- Place envelopes in tray 1.

- Place letter paper in tray 2.

2.1.2. Choice : Loading for printing in a single format

All the printed material will output on the same paper size.

Choice 1 : Loading for printing in A4 format

- Insert A4 paper into tray 1.

TIP !

If tray 2 has a different format of paper in it.

OR

- Insert A4 paper into tray 2.

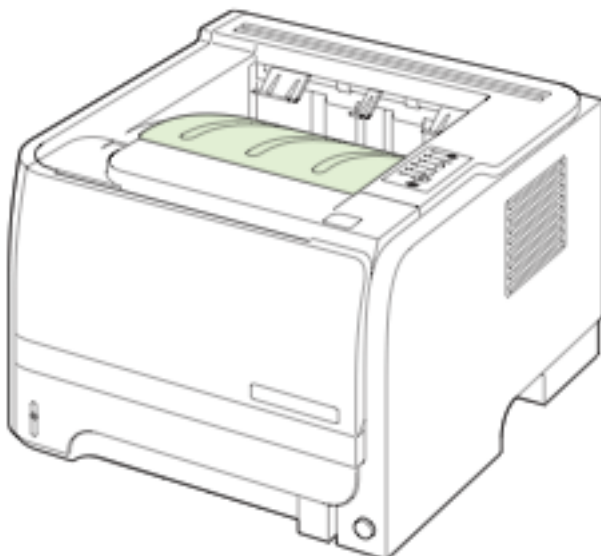
Choice 2 : Loading for printing in A6 format

- Insert A6 format paper into tray 2.
- Adjust the rear guide to the length of the paper.

2.2. Choosing the output of prints

2.2.1. Outputting paper to the top

This output option being the default one, no action is required to use it.





The straight-through paper pass must be closed.

2.2.2. Outputting paper to the rear

This is the best output option for the following printed material:

- Envelopes
 - Labels
 - Small custom-sized paper
 - Postcards
-
- Open the straight-through paper pass.

